

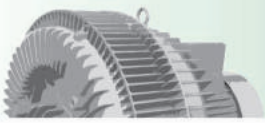
# *Side Channel Blower*

高壓鼓風機

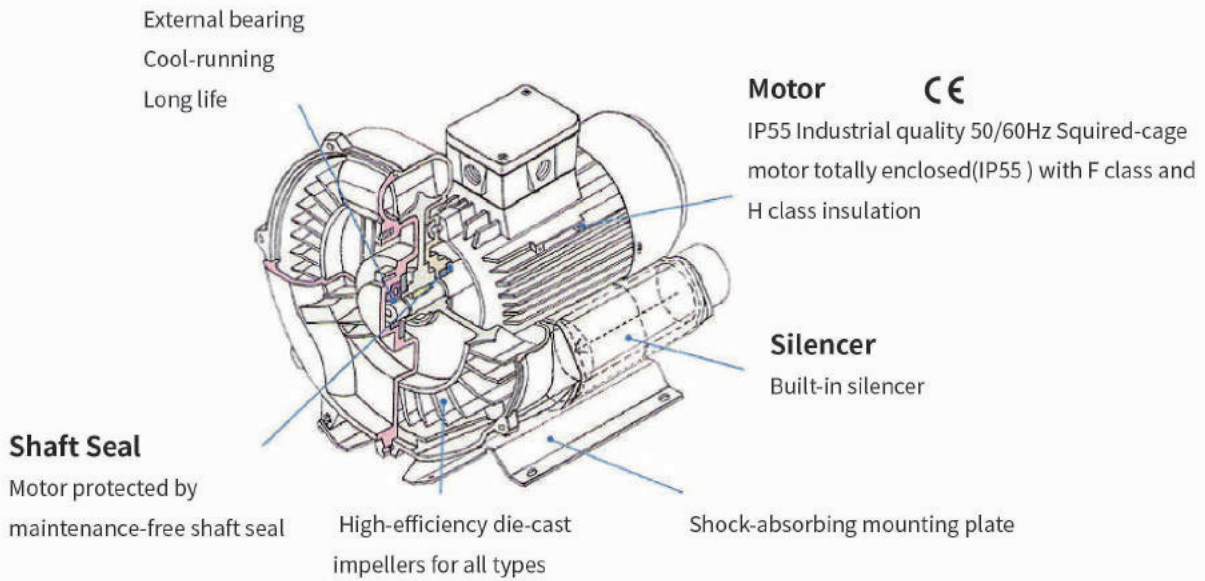


**INDUSTRIAL TECH SOLUTIONS**





## Side Channel Blower Construction



## Side Channel Blower Specific

### Easy to install

The blower is a complete unit ready for immediate installation either as a vacuum pump or as a compressor. The unit can be mounted in any position, horizontally or vertically.

### No oily odors

The impeller rotates with absolutely no contact between it and the housing. This means no lubrication is required, guaranteeing 100% oil-free operation.

### Rugged

The cast for the impeller and the motor are individual to be made by aluminum. The blower has the highly-developed design which results in a pump construction with one moving part, a feature ensuring maximum operating reliability. Maintenance free!

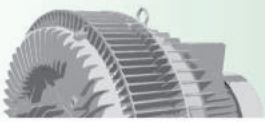
### Low Noise and Vibration

The use of direct-driving low noise motors and integral silencers ensure a low noise level. Dynamic balancing minimizes vibration.

### High Efficiency

Under serious QC control, the parts used in DG blower are of top quality. All blowers are made by professional technicians.





## Single Phase AC IP55 50Hz/60Hz

Model	Curve No.	Frequency (Hz)	Output (kW)	Voltage (V)	Current (A)	Static pressure Vacuum / combapressor (mbar)	Max Airflow (m³/min)	Noise (dB)A	Weight (Kg)
RS-100-11	D1	50	0.18	100-120/200-240	2.50/1.25	50/40	1.0	52	6.5
	G1	60	0.20	110-120/220-240	2.60/1.30	70/70	1.2	55	
RS-200-11	D2	50	0.40	100-120/200-240	5.40/2.70	110/130	1.5	58	11.5
	G2	60	0.50	110-120/220-240	7.80/3.90	130/150	1.8	61	
RS-200-11W	D3	50	0.40	100-120/200-240	5.80/2.90	110/130	1.5	58	12.0
	G3	60	0.50	110-120/220-240	7.80/3.90	130/150	1.8	61	
RS-300-11	D4	50	0.75	100-120/200-240	11.6/5.80	140/150	2.6	63	16.0
	G4	60	0.85	110-120/220-240	13.0/6.50	140/140	3.1	64	
RS-300-11W	D5	50	0.75	100-120/200-240	11.6/5.80	140/150	2.5	63	16.5
	G5	60	0.85	110-120/220-240	13.0/6.50	140/140	3.1	64	
RS-300-31	D6	50	1.10	100-120/200-240	14.0/7.00	160/190	2.6	63	16.5
	G6	60	1.30	110-120/220-240	16.0/8.00	180/190	3.1	64	
RS-400-21	D7	50	1.10	100-120/200-240	15.8/7.70	150/150	3.7	70	23.5
	G7	60	1.30	110-120/220-240	19.2/9.60	150/140	4.4	73	
RS-400-31	D8	50	1.50	100-120/200-240	20.0/10.0	180/190	3.7	70	26.0
	G8	60	1.75	110-120/220-240	22.8/11.4	180/170	4.4	73	
RS-400-31W	D9	50	1.50	100-120/200-240	20.0/10.0	180/190	3.7	70	26.5
	G9	60	1.75	110-120/220-240	22.8/11.4	180/170	4.4	73	
RS-230-11	D10	50	0.75	100-120/200-240	9.20/4.50	180/220	1.6	60	17.5
	G10	60	0.85	110-120/220-240	11.0/5A0	200/220	1.8	66	
RS-330-11	D11	50	1.50	100-120/200-240	20.0/10.0	240/250	2.6	66	28.5
	G11	60	1.75	110-120/220-240	22.8/11.4	250/260	3.1	69	

Remark :

- 1.Information above is for reference, product only when different.
- 2.We reserve the right to change the design without notice.
- 3.Should you require any further information or assistance, please do not hesitate to contact us or distributors.

Description of model
RS- <b>XXX</b> -xx
Series number

RS-xxx- <b>Xx</b>
The sort of output in each series

RS-xxx-x <b>X</b>
Voltage Code

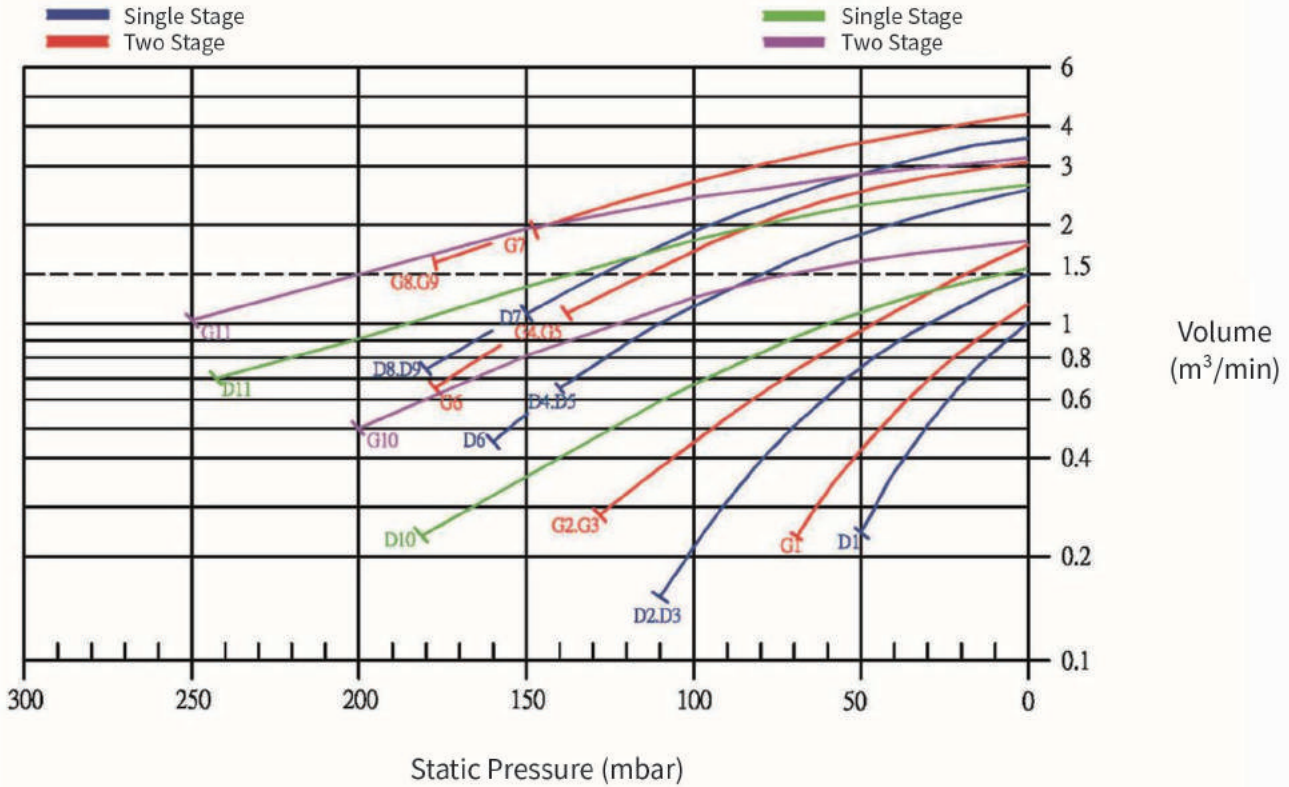
Voltages Code		50Hz	60Hz
0	1~	100-120V	110-120V
1	1~	100-120/200-240V	110-120/220-240V
2	1~	185-220V	200-240V
3	1~	200-220V	220-240V
4	3~	200-240VΔ	200-240Δ
5	3~	185-225 Δ /320-	200-240 Δ /345-
6	3~	200-240 Δ /345-	220-275 Δ /380-
7	Specail Voltage		
8	3~	345-415 Δ /600-	380-480 Δ /660-
9	3~	400-460 Δ /690-	415-500 Δ /720-

RS-xxx-xx <b>W</b>	Waterproof
<b>B</b>	Low Pressure
<b>L</b>	Terminal box on the left
<b>R</b>	Terminal box on the right

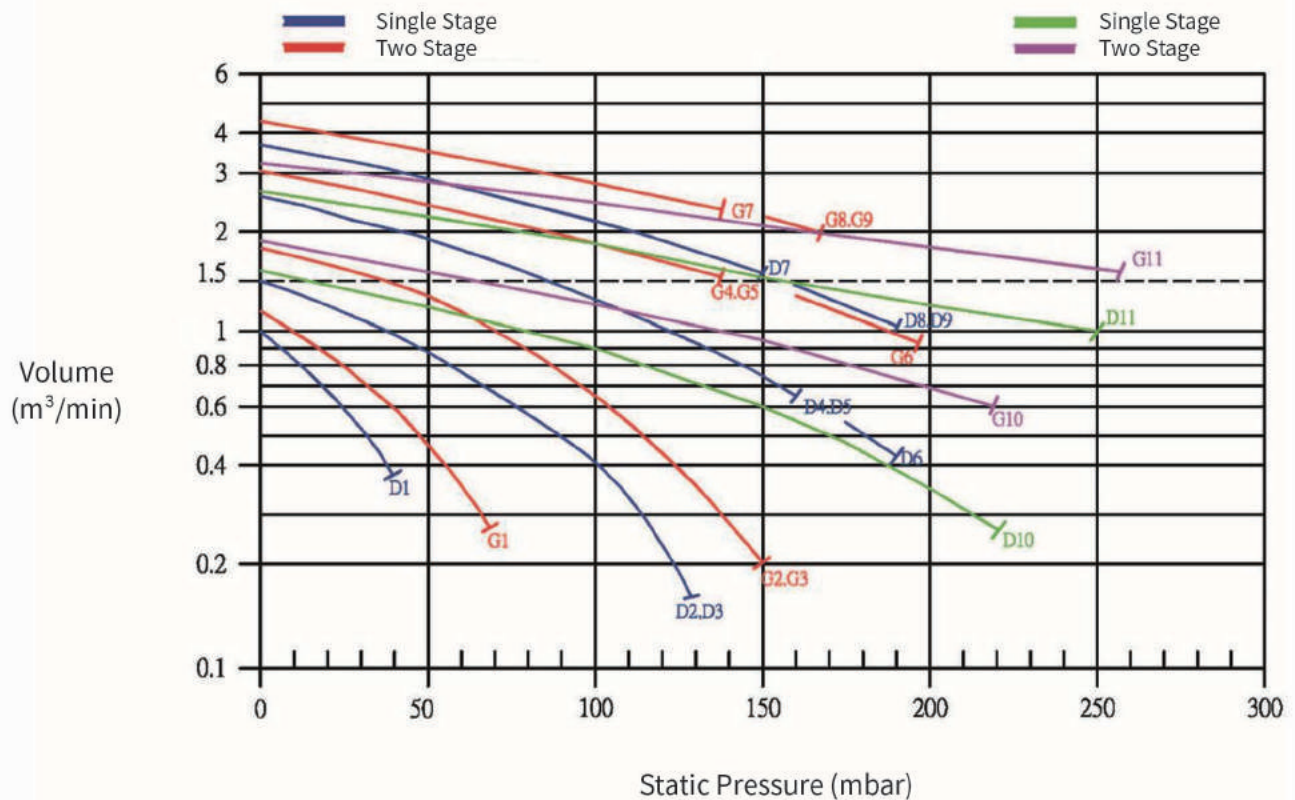


## 50Hz / 60Hz / Single Phase Curve

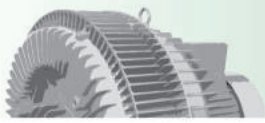
### Vacuum



### Compressor







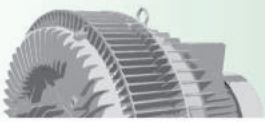
## Three Phase AC IP55 50Hz

Model	Curve No.	Frequency (Hz)	Output (kW)	Voltage (V)	Current (A)	Static pressure Vacuum / Compressor (mbar)	Max Airflow (m³/min)	Noise (dB)A	Weight (Kg)
RS-100-16	D12	50	0.18	200-240 Δ /345-415Y	1.10 Δ /0.64Y	50/60	1	52	6.5
RS-200-16	D13	50	0.4	200-240 Δ /345-415Y	2.20 Δ /1.30Y	110/130	1.5	58	10.5
RS-200-16W	D14	50	0.4	200-240 Δ /345-415Y	2.20 Δ /1.30Y	100/130	1.5	58	11
RS-300-16	D15	50	0.75	200-240 Δ /345-415Y	3.70 Δ /2.14Y	140/140	2.6	63	14
RS-300-26	D16	50	0.9	200-240 Δ /345-415Y	4.20 Δ /2.40Y	165/180	2.6	63	15
RS-300-16B	D17	50	0.75	200-240 Δ /345-415Y	3.70 Δ /2.14Y	110/120	2.6	63	14
RS-300-16W	D18	50	0.75	200-240 Δ /345-415Y	3.70 Δ /2.14Y	140/140	2.6	63	14.5
RS-300-36	D19	50	1.3	200-240 Δ /345-415Y	4.60 Δ /2.65Y	175/200	2.6	63	16
RS-400-16	D20	50	0.9	200-240 Δ /345-415Y	4.20 Δ /2.40Y	130/120	3.7	70	20.5
RS-400-26	D21	50	1.3	200-240 Δ /345-415Y	5.70 Δ /3.30Y	180/180	3.7	70	22
RS-400-36	D22	50	1.75	200-240 Δ /345-415Y	6.70 Δ /3.90Y	210/220	3.7	70	23
RS-400-36B	D23	50	1.75	200-240 Δ /345-415Y	6.70 Δ /3.90Y	140/160	3.7	70	23
RS-400-36W	D24	50	1.75	200-240 Δ /345-415Y	6.70 Δ /3.90Y	210/220	3.7	70	23.5
RS-400-46	D25	50	2.2	200-240 Δ /345-415Y	7.80 Δ /4.50Y	220/270	3.7	70	26
RS-600-16	D26	50	2.2	200-240 Δ /345-415Y	9.70 Δ /5.60Y	220/210	5.5	72	32
RS-600-16B	D27	50	2.2	200-240 Δ /345-415Y	9.70 Δ /5.60Y	160/200	5.5	72	32
RS-600-16W	D28	50	2.2	200-240 Δ /345-415Y	9.70 Δ /5.60Y	220/210	5.5	72	32.5
RS-600-26	D29	50	3.4	200-240 Δ /345-415Y	12.5 Δ /7.20Y	255/270	5.5	72	34
RS-600-26W	D30	50	3.4	200-240 Δ /345-415Y	12.5 Δ /7.20Y	255/270	5.5	72	35.5
RS-600-36	D31	50	4	200-240 Δ /345-415Y	14.3 Δ /8.20Y	270/320	5.5	72	37
RS-800-16	D32	50	5.5	200-240 Δ /345-415Y	25.3 Δ /14.6Y	270/290	9.5	74	77
RS-800-26	D33	50	7.5	200-240 Δ /345-415Y	31.5 Δ /18.2Y	295/390	9.5	74	88
RS-900-16	D34	50	9	200-240 Δ /345-415Y	36.0 Δ /20.8Y	200/190	18.9	76	100
RS-900-26	D35	50	13	200-240 Δ /345-415Y	46.8 Δ /27.0Y	290/270	18.9	76	112
RS-900-36	D36	50	20	200-240 Δ /345-415Y	66.7 Δ /38.6Y	350/440	18.9	76	159
RS-230-16	D37	50	0.75	200-240 Δ /345-415Y	3.45 Δ /2.00Y	200/240	1.6	60	17
RS-330-16	D38	50	1.75	200-240 Δ /345-415Y	6.70 Δ /3.90Y	275/300	2.6	66	25
RS-330-26	D39	50	2.2	200-240 Δ /345-415Y	7.80 Δ /4.50Y	320/390	2.6	66	28
RS-430-16	D40	50	3.4	200-240 Δ /345-415Y	12.5 Δ /7.20Y	345/410	3.7	74	40
RS-430-26	D41	50	4	200-240 Δ /345-415Y	14.3 Δ /8.20Y	355/460	3.7	74	43
RS-630-26	D42	50	4	200-240 Δ /345-415Y	15.4 Δ /8.90Y	350/350	5.5	75	55
RS-630-36	D43	50	5.5	200-240 Δ /345-415Y	21.6 Δ /12.5Y	410/500	5.5	75	72
RS-630-46	D44	50	7.5	200-240 Δ /345-415Y	31.5 Δ /18.2Y	420/580	5.5	75	82
RS-640-36	D45	50	5.5	200-240 Δ /345-415Y	21.6 Δ /12.5Y	200/220	7.9	75	72
RS-640-46	D46	50	7.5	200-240 Δ /345-415Y	31.5 Δ /18.2Y	240/275	7.9	75	82
RS-830-16	D47	50	7.5	200-240 Δ /345-415Y	31.5 Δ /18.2Y	350/350	9.5	76	112
RS-830-26	D48	50	13	200-240 Δ /345-415Y	46.8 Δ /27.0Y	430/600	9.5	76	142
RS-830-36	D49	50	20	200-240 Δ /345-415Y	66.7 Δ /38.6Y	450/700	9.6	76	160
RS-840-16	D50	50	7.5	200-240 Δ /345-415Y	31.5 Δ /18.2Y	180/145	14.2	76	110
RS-840-26	D51	50	13	200-240 Δ /345-415Y	46.8 Δ /27.0Y	250/250	14.2	76	140
RS-840-36	D52	50	20	200-240 Δ /345-415Y	66.7 Δ /38.6Y	300/300	14.2	76	160

**Remark :**

1. Information above is for reference, product only when different.
2. We reserve the right to change the design without notice.
3. Should you require any further information or assistance, please do not hesitate to contact us or distributors.

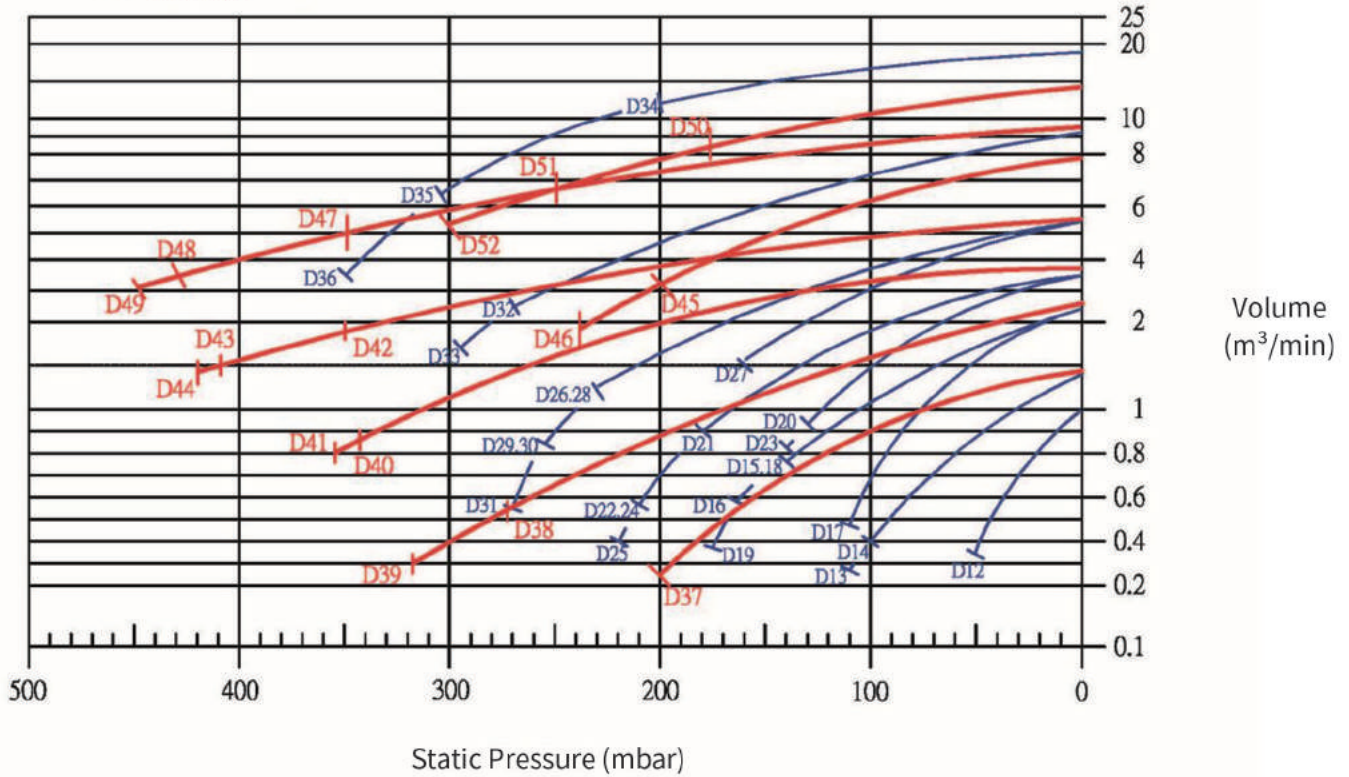




## 50Hz / Three Phase Curve

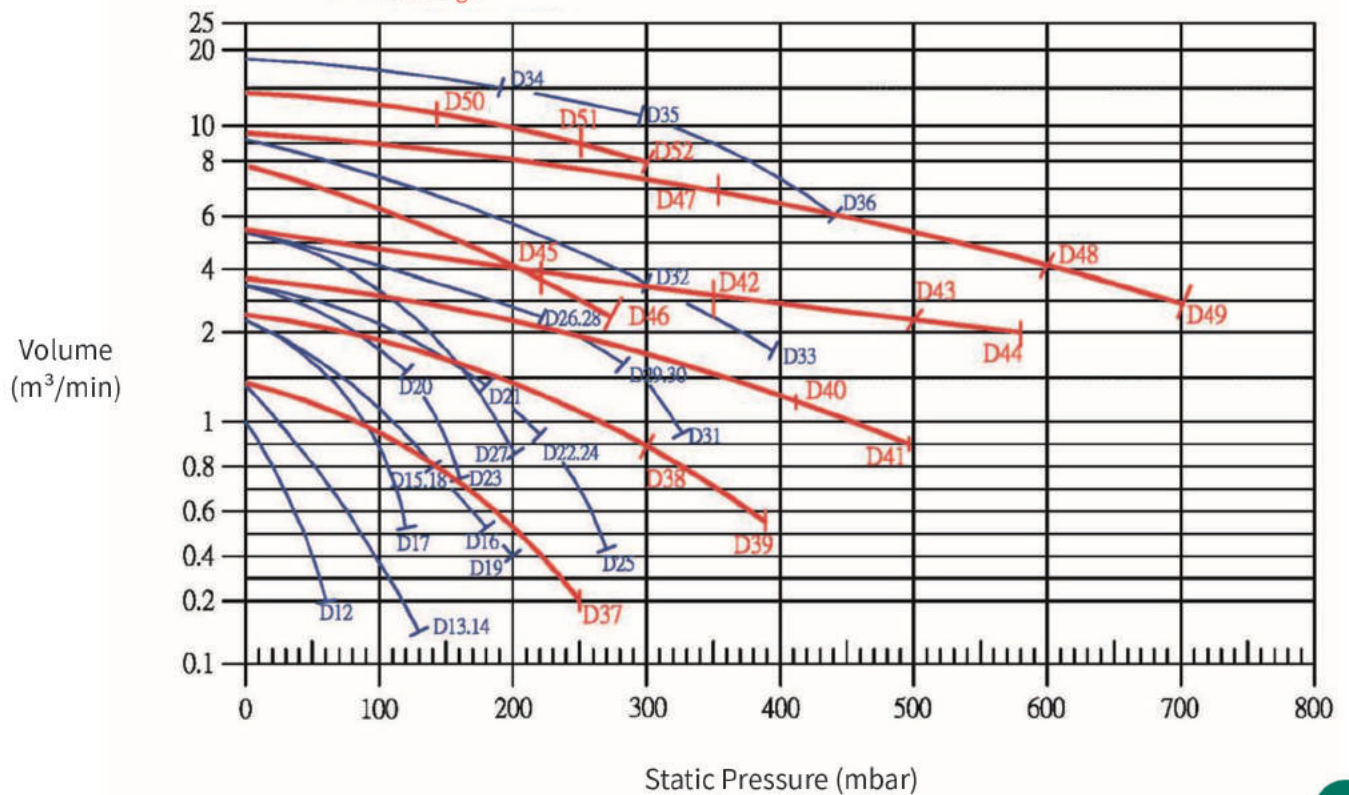
### 50Hz / Vacuum

- Single Stage
- Two Stage

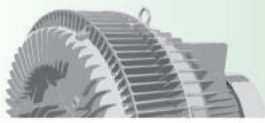


### 50Hz / Compressor

- Single Stage
- Two Stage







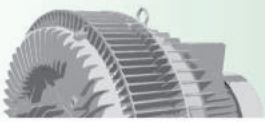
## Three Phase AC IP55 60Hz

Model	Curve No.	Frequency (Hz)	Output (kW)	Voltage (V)	Current (A)	Static pressure Vacuum/ Compressor (mbar)	Max Airflow (m <sup>3</sup> /min)	Noise (dB)A	Weight (Kg)
RS-100-16	G12	60	0.20	220-275 Δ /380-480Y	1.0 Δ /0.64Y	70/70	1.2	55	6.5
RS-200-16	G13	60	0.50	220-275 Δ /380-480Y	2.30 Δ /1.30Y	140/160	1.8	61	11.0
RS-200-16W	G14	60	0.50	220-275 Δ /380-480Y	2.30 Δ /1.30Y	140/150	1.8	61	11.5
RS-300-16	G15	60	0.85	220-275 Δ /380-480Y	3.90 Δ /2.25Y	140/140	3.1	64	14.0
RS-300-26	G16	60	1.10	220-275 Δ /380-480Y	4.50 Δ /2.60Y	180/180	3.1	64	15.0
RS-300-16B	G17	60	0.85	220-275 Δ /380-480Y	3.60 Δ /2.10Y	140/140	3.1	64	14.0
RS-300-16W	G18	60	0.85	220-275 Δ /380-480Y	3.90 Δ /2.25Y	140/140	3.1	64	14.5
RS-300-36	G19	60	1.50	220-275 Δ /380-480Y	5.25 Δ /3.00Y	205/230	3.1	64	16.0
RS-400-16	G20	60	1.10	220-275 Δ /380-480Y	4.50 Δ /2.60Y	120/110	4.4	73	20.5
RS-400-26	G21	60	1.50	220-275 Δ /380-480Y	6.00 Δ /3.50Y	170/160	4.4	73	22.0
RS-400-36	G22	60	1.90	220-275 Δ /380-480Y	7.00 Δ /4.00Y	200/200	4.4	73	23.0
RS-400-36B	G23	60	1.90	220-275 Δ /380-480Y	7.00 Δ /4.00Y	160/180	4.4	73	23.0
RS-400-36W	G24	60	1.90	220-275 Δ /380-480Y	7.00 Δ /4.00Y	200/200	4.4	73	23.5
RS-400-46	G25	60	2.60	220-275 Δ /380-480Y	9.50 Δ /5.50Y	255/290	4.4	73	26.0
RS-600-16	G26	60	2.60	220-275 Δ /380-480Y	10.7 Δ /6.20Y	220/200	6.5	77	32.0
RS-600-16B	G27	60	2.60	220-275 Δ /380-480Y	10.7 Δ /6.20Y	195/200	6.5	77	32.0
RS-600-16W	G28	60	2.60	220-275 Δ /380-480Y	10.7 Δ /6.20Y	220/200	6.5	77	32.5
RS-600-26	G29	60	3.70	220-275 Δ /380-480Y	13.5 Δ /7.80Y	280/270	6.5	77	34.0
RS-600-26W	G30	60	3.70	220-275 Δ /380-480Y	13.5 Δ /7.80Y	280/270	6.5	77	35.5
RS-600-36	G31	60	4.60	220-275 Δ /380-480Y	16.2 Δ /9.30Y	315/320	6.5	77	37.0
RS-800-16	G32	60	6.30	220-275 Δ /380-480Y	29.5 Δ /17.0Y	290/270	11.3	79	77.0
RS-800-26	G33	60	8.60	220-275 Δ /380-480Y	37.0 Δ /21.3Y	350/395	11.3	79	88.0
RS-900-16	G34	60	11.00	220-275 Δ /380-480Y	37.0 Δ /21.4Y	180/170	22.4	81	100.0
RS-900-26	G35	60	15.00	220-275 Δ /380-480Y	51.5 Δ /29.8Y	280/270	22.4	81	112.0
RS-900-36	G36	60	22.00	220-275 Δ /380-480Y	76.0 Δ /44.0Y	365/420	22.4	81	159.0
RS-230-16	G37	60	0.85	220-275 Δ /380-480Y	3.60 Δ /2.08Y	245/245	1.8	67	17.0
RS-330-16	G38	60	1.90	220-275 Δ /380-480Y	7.00 Δ /4.00Y	300/300	3.1	69	25.0
RS-330-26	G39	60	2.60	220-275 Δ /380-480Y	9.50 Δ /5.50Y	350/420	3.1	69	28.0
RS-430-16	G40	60	3.70	220-275 Δ /380-480Y	13.5 Δ /7.80Y	370/350	4.4	77	40.0
RS-430-26	G41	60	4.60	220-275 Δ /380-480Y	16.2 Δ /9.30Y	410/475	4.4	77	43.0
RS-630-26	G42	60	4.60	220-275 Δ /380-480Y	18.2 Δ /10.5Y	350/350	6.5	79	55.0
RS-630-36	G43	60	6.30	220-275 Δ /380-480Y	26.5 Δ /15.3Y	420/500	6.5	79	72.0
RS-630-46	G44	60	8.60	220-275 Δ /380-480Y	37.0 Δ /21.3Y	450/675	6.5	79	82.0
RS-640-36	G45	60	6.30	220-275 Δ /380-480Y	26.5 Δ /15.3Y	180/170	9.5	79	72.0
RS-640-46	G46	60	8.60	220-275 Δ /380-480Y	37.0 Δ /21.3Y	260/260	9.5	79	82.0
RS-830-16	G47	60	8.60	220-275 Δ /380-480Y	37.0 Δ /21.3Y	290/290	11.3	81	112.0
RS-830-26	G48	60	15.00	220-275 Δ /380-480Y	52.0 Δ /30.0Y	450/600	11.3	81	142.0
RS-830-36	G49	60	22.00	220-275 Δ /380-480Y	76.0 Δ /44.0Y	470/780	11.3	81	160.0
RS-840-16	G50	60	8.60	220-275 Δ /380-480Y	37.0 Δ /21.3Y	110/110	16.5	81	110.0
RS-840-26	G51	60	15.00	220-275 Δ /380-480Y	52.0 Δ /30.0Y	230/200	16.5	81	140.0
RS-840-36	G52	60	22.00	220-275 Δ /380-480Y	76.0 Δ /44.0Y	300/280	16.5	81	160.0

**Remark :**

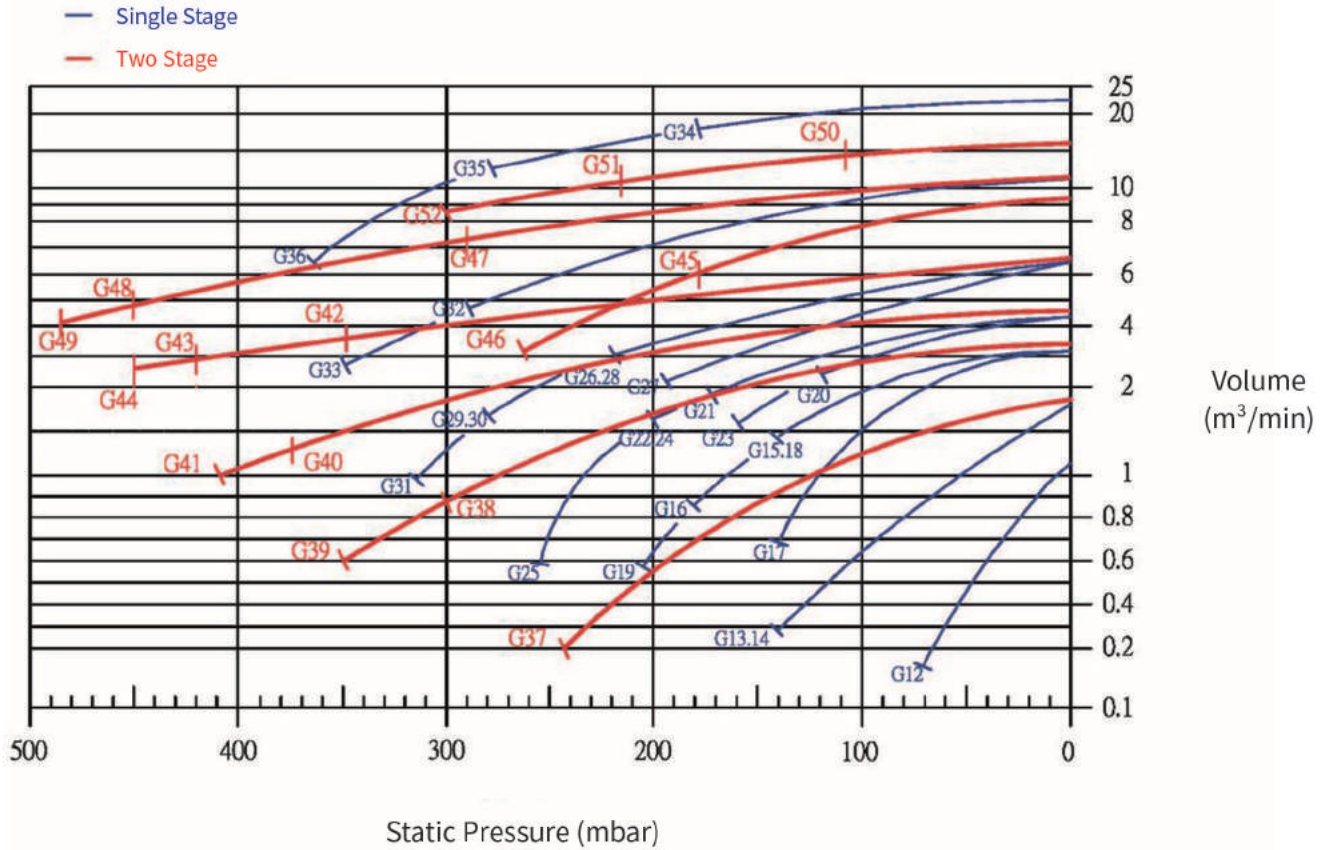
- 1.Information above is for reference, product only when different.
- 2.We reserve the right to change the design without notice.
- 3.Should you require any further information or assistance, please do not hesitate to contact us or distributors.



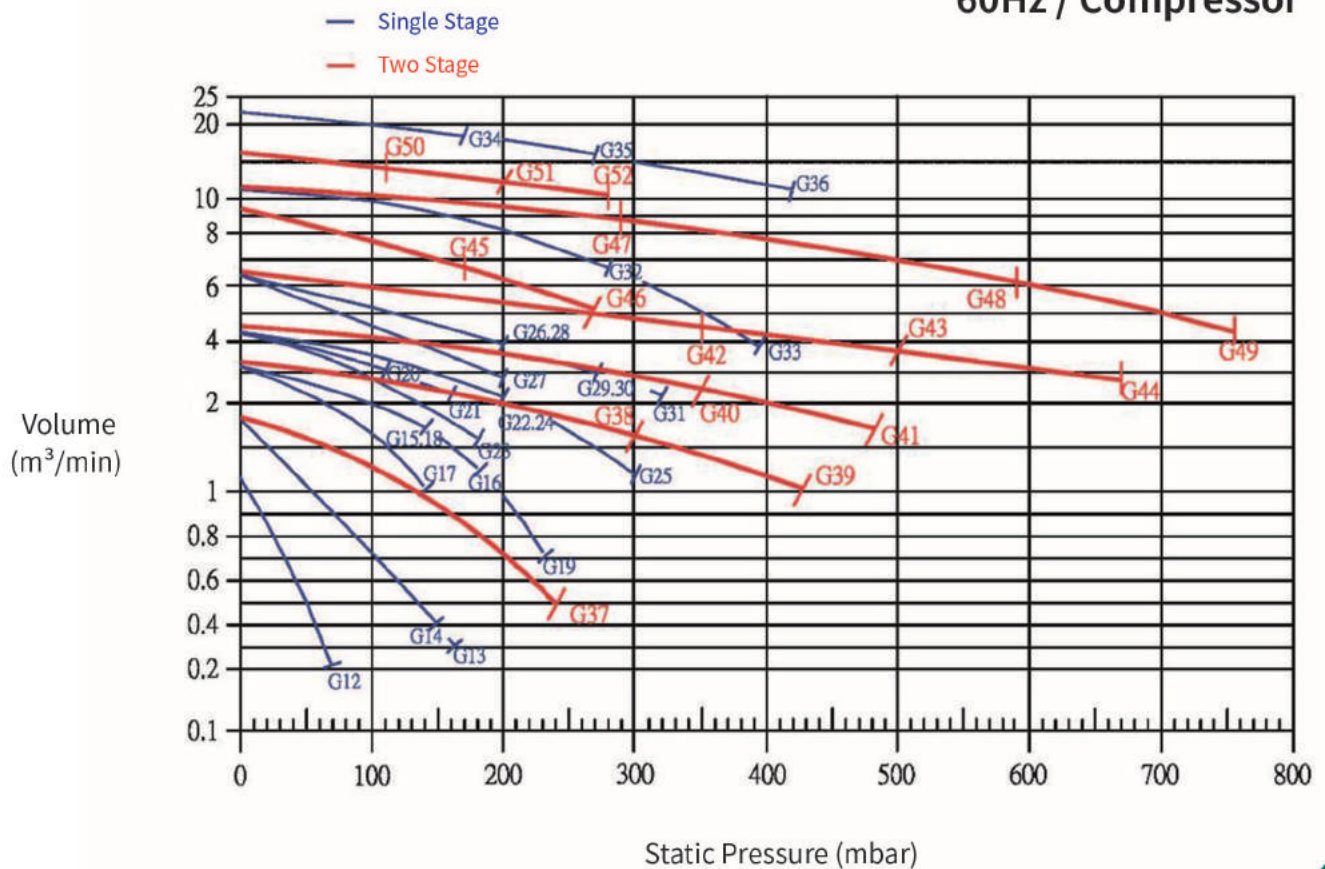


## 60Hz / Three Phase Curve

### 60Hz / Vacuum



### 60Hz / Compressor

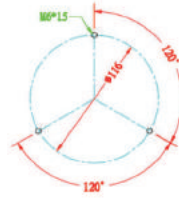
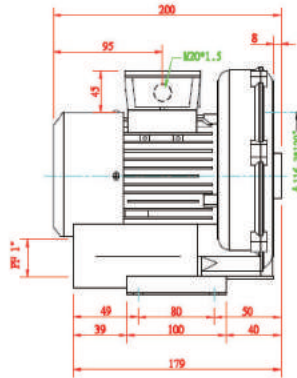
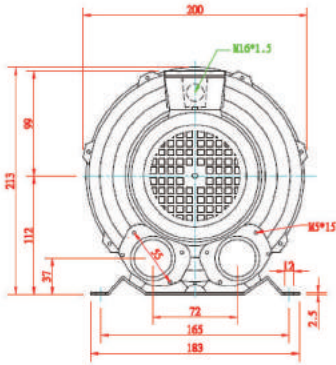




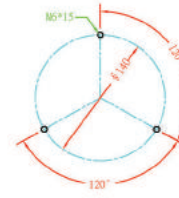
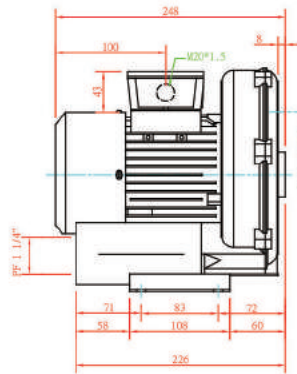
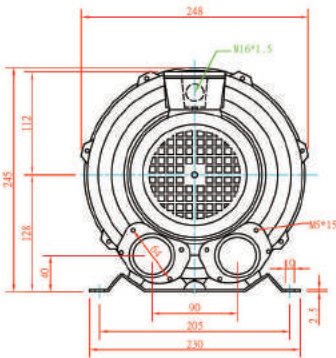


## Dimensions

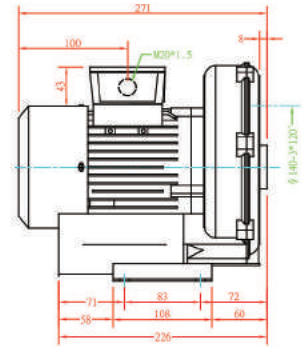
### RS-100 Series



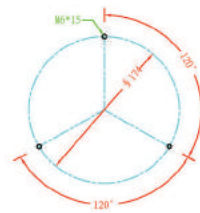
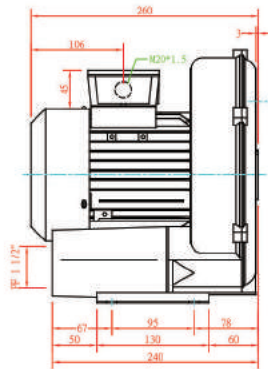
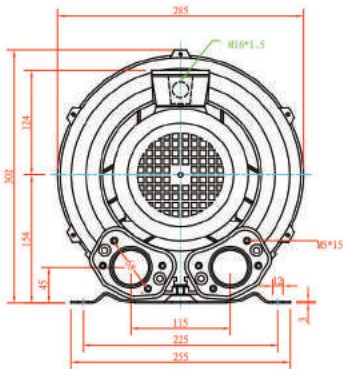
### RS-200 Series



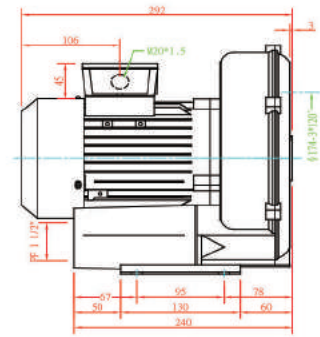
### only RS-200 \*\*W



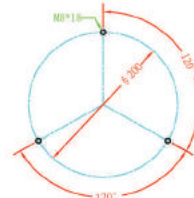
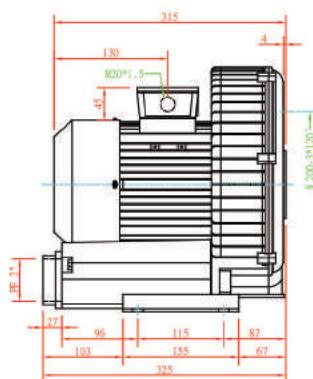
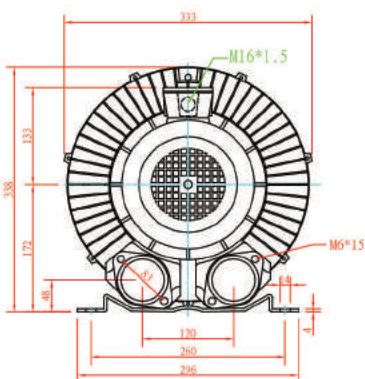
### RS-300 Series



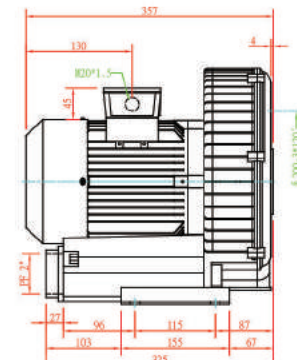
### only RS-300 \*\*W

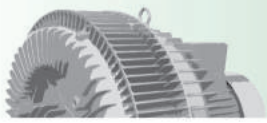


### RS-400 Series



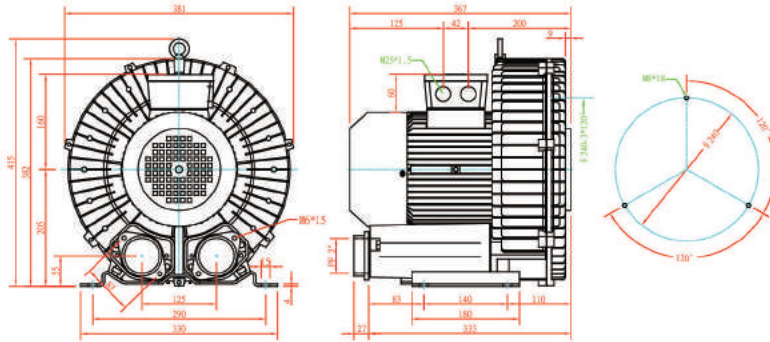
### only RS-400 \*\*W



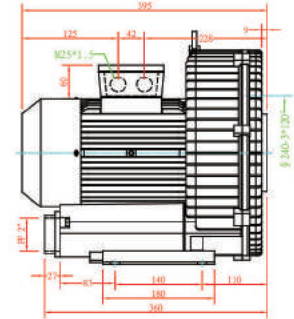


## Dimensions

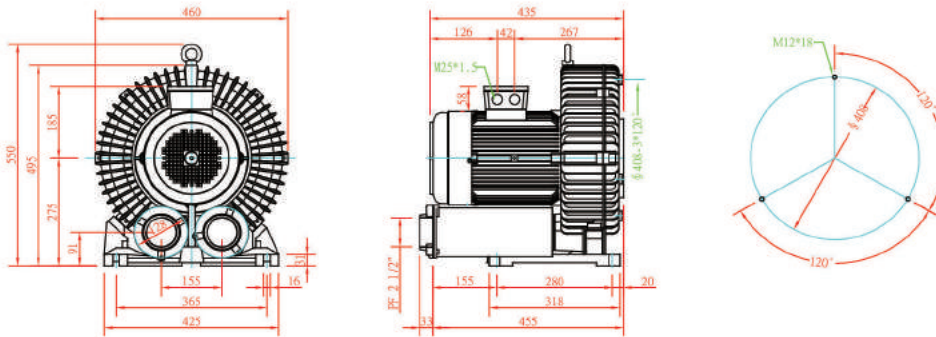
### RS-600 Series



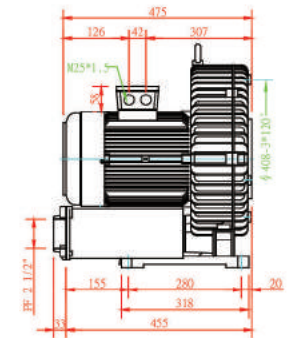
only RS-600 \*\*W



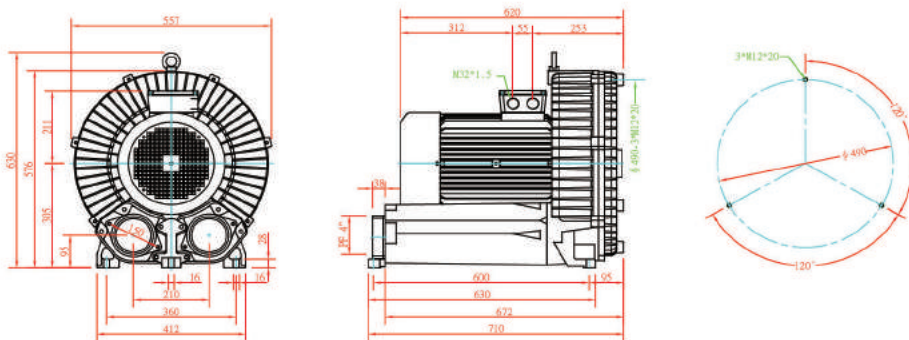
### RS-800 Series



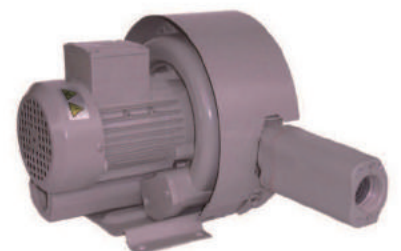
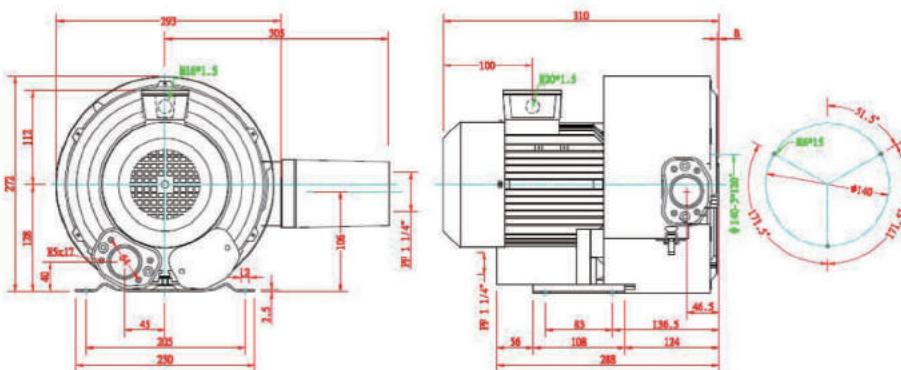
only RS-800 \*\*W



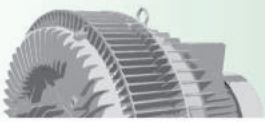
### RS-900 Series



### RS-230 Series

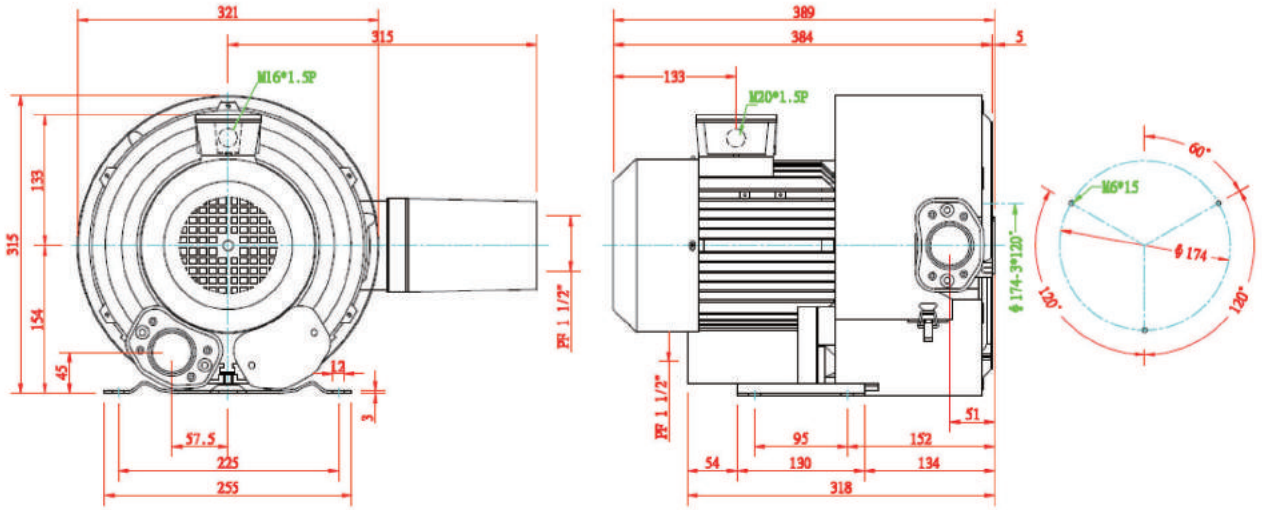




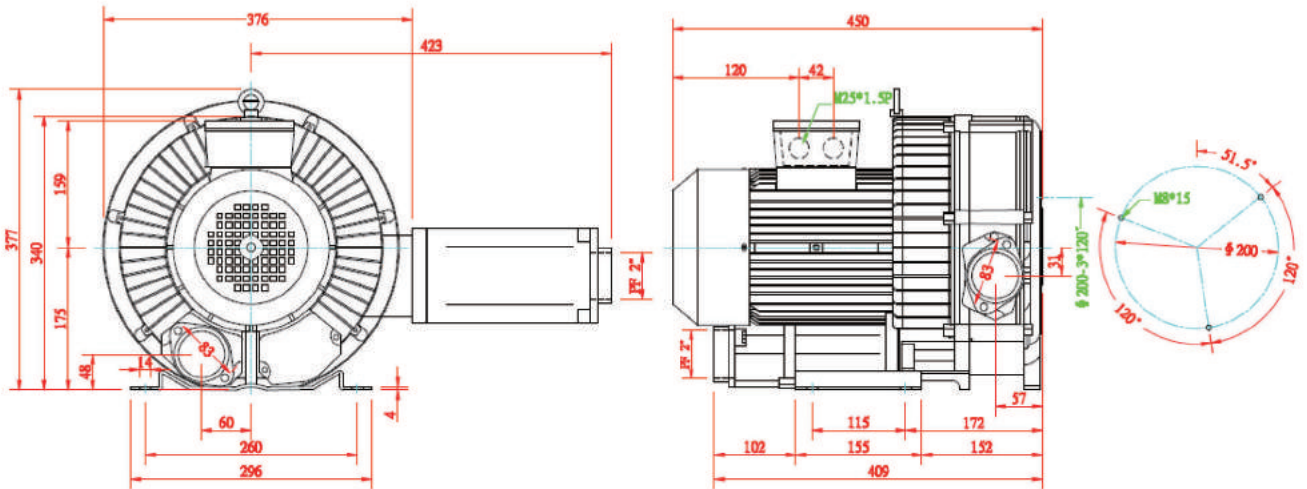


## Dimensions

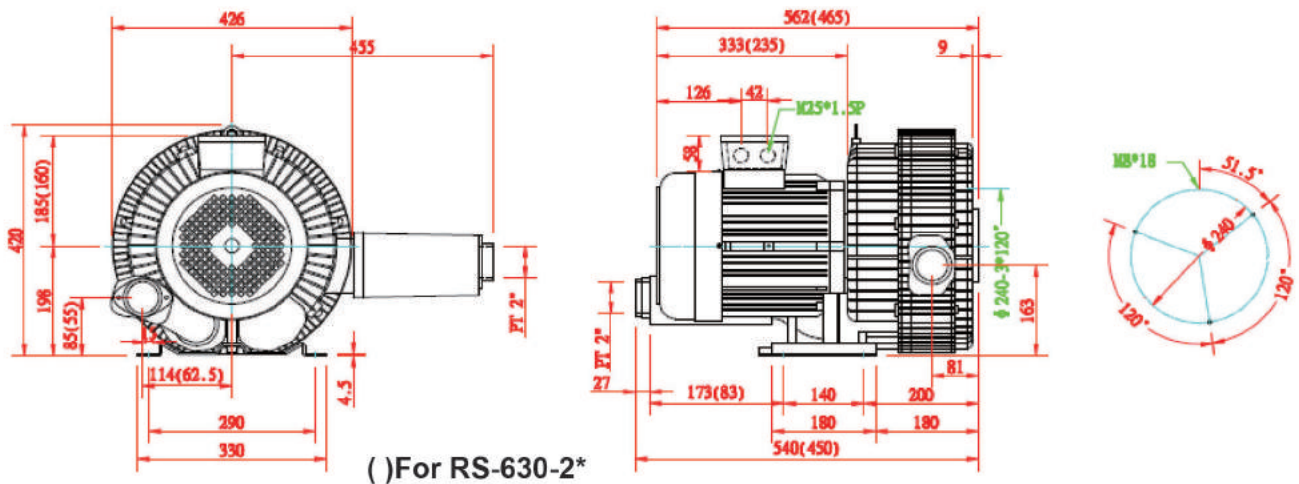
### RS-330 Series

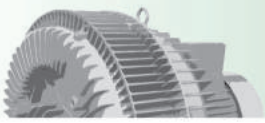


### RS-430 Series



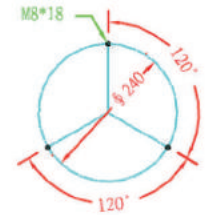
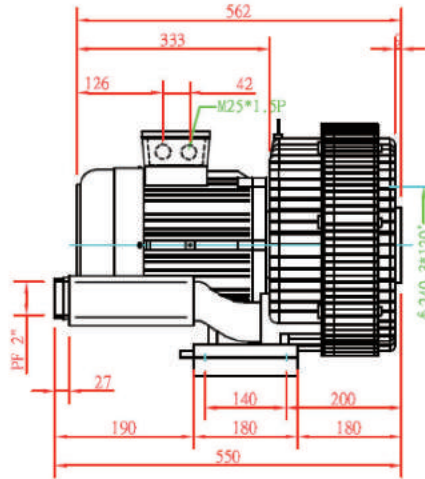
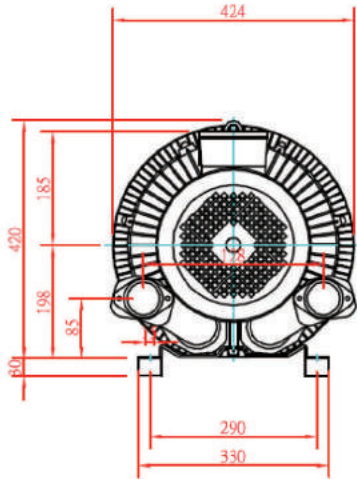
### RS-630 Series



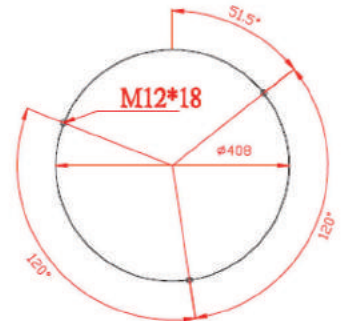
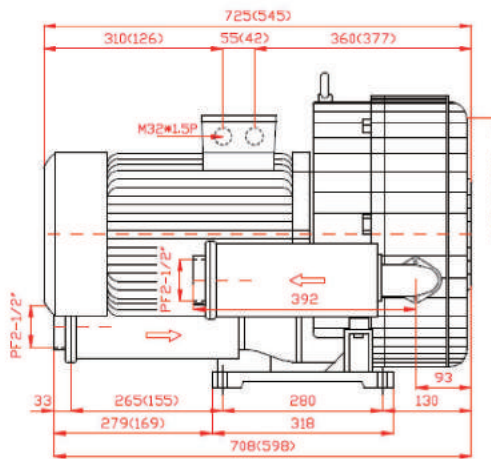
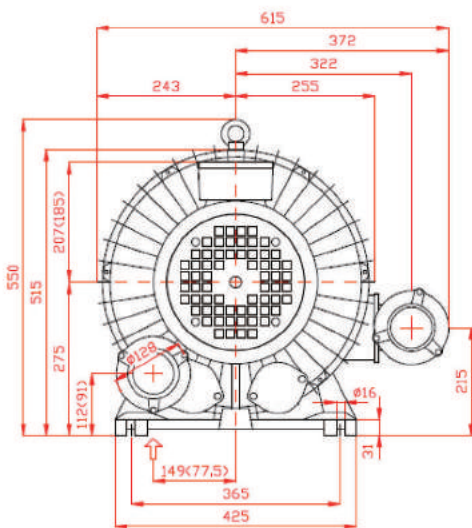


## Dimensions

### RS-640 Series

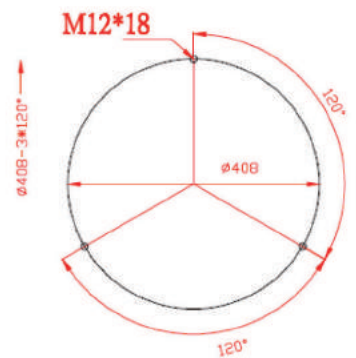
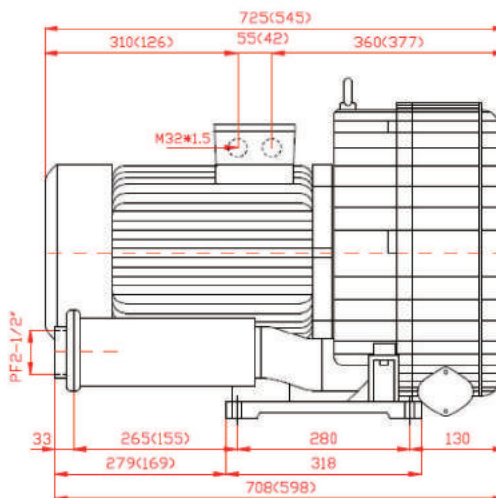
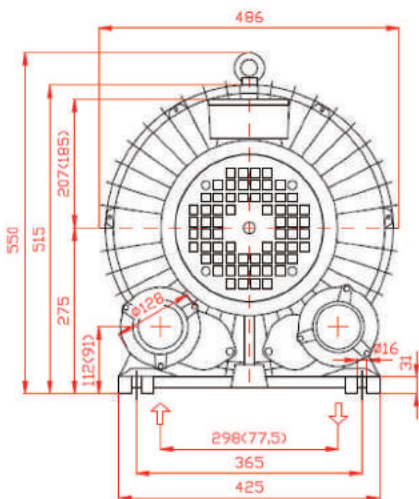


### RS-830 Series



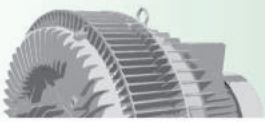
( )For RS-830-1\*

### RS-840 Series



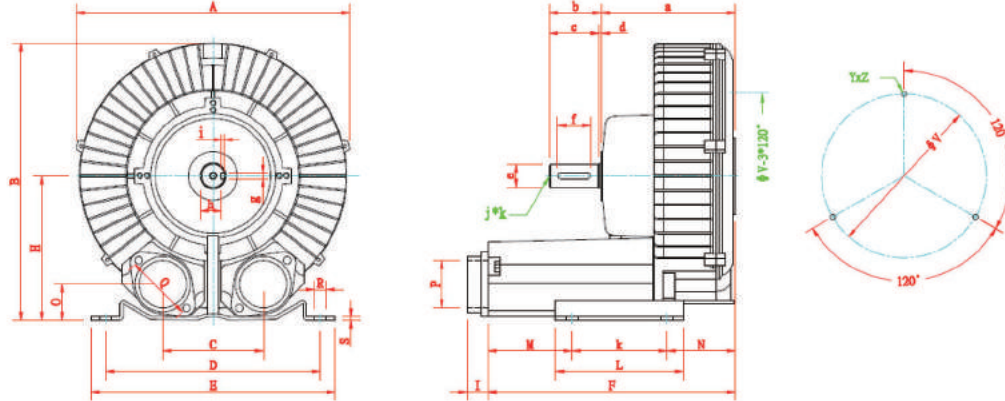
( )For RS-840-1\*





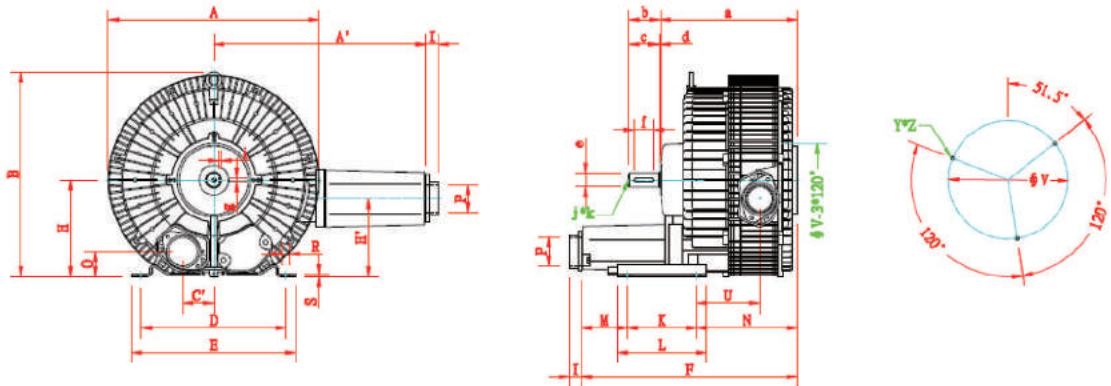
## V-belt Blower

### Single Stage

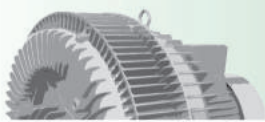


MODEL	A	B	C	D	E	F	H	I	K	L	M	N	O	P	Q
RS-200-0	248	245	90	205	230	226	128	-	83	108	71	72	40	PF 1 1/4"	64
RS-300-0	285	302	115	225	255	240	154	-	95	130	67	78	45	PF 1 1/2"	68
RS-400-0	333	338	120	260	296	298	172	27	115	155	96	87	48	PF 2"	83
RS-600-0	381	415	125	290	330	333	205	27	140	180	83	110	55	PF 2"	83
RS-800-0	460	550	155	365	425	455	275	33	280	318	155	20	91	P F 2 1/T	Φ 128
RS-900-0	557	630	210	360	412	672	305	38	600	630	-	95	95	PF 4"	150
MODEL	R	S	Φ V	V-HOLE	Y*Z	a	b	c	d	e	f	g	h	i	j*k
RS-200-0	Φ10	2.5	Φ140	0° /120° /240°	M6*15	117	53	50	3	24	40	8	20	4.0	M8*20
RS-300-0	Φ12	3	Φ174	0° /120° /240°	M6*15	113	53	50	3	24	40	8	20	4.0	M8*20
RS-400-0	Φ14	4	Φ200	0° /120° /240°	M8*15	162.5	63	60	3	28	40	8	24	4.0	M8*20
RS-600-0	Φ15	4.5	Φ240	0° /120° /240°	M8*15	179.5	63	60	3	28	40	8	24	4.0	M8*20
RS-800-0	16	31	Φ408	0° /120° /240°	M12*15	268	83	80	3	42	60	10	38	4.0	M10*30
RS-900-0	16	28	Φ490	0° /120° /240°	M12*20	303.5	113	110	3	42	90	14	37.5	4.5	M10*30

### Double Stage

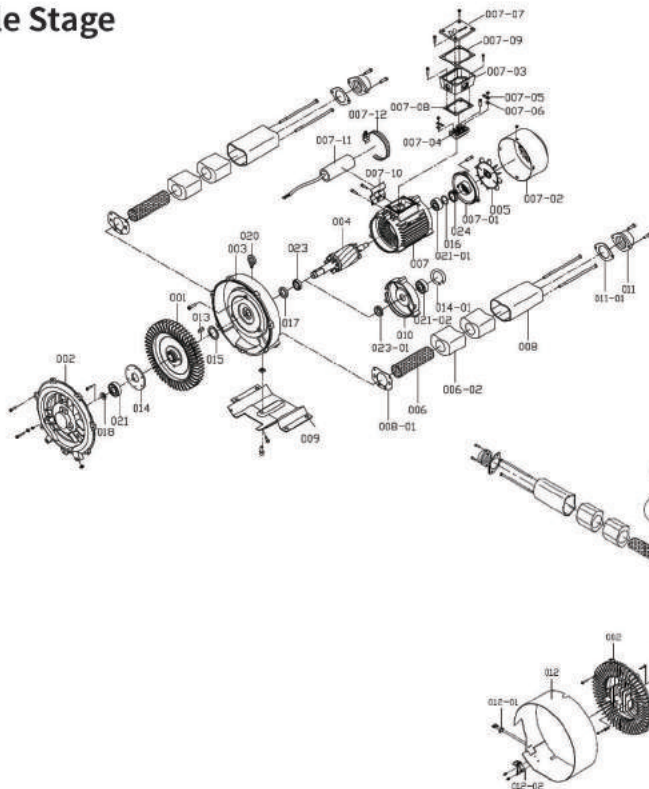


MODEL	A	A'	B	C'	D	E	F	H	H'	I	K	L	M	N	O	P	
RS-230-0	284	305	272	45	205	230	288	128	106	-	83	108	71	136.5	40	PF 1 1/4"	
RS-330-0	321	315	315	57.5	225	255	318	152	152	-	95	130	67	152	45	PF 1 1/2"	
RS-430-0	364	396	377	60	260	296	382	175	144	27	115	155	96	172	48	PF 2"	
RS-630-0	424	428	420	62.5	290	330	423	205	163	27	140	180	83	200	55	PF 2"	
RS-830-0	486	372	550	77.5	365	425	565	275	215	33	280	318	155	130	91	PF 2 1/2"	
MODEL	Q	R	S	U	V	V-HOLE	Y*Z	a	b	c	d	e	f	ri	h	i	j*k
RS-230-0	64	Φ10	2.5	90	Φ140	51.5° /171.5° /291.5°	M6*15	180	53	50	3	24	40	8	20	4	M8*20
RS-330-0	68	Φ12	3	101	Φ174	60° /180° /300°	M6*15	189	53	50	3	24	40	8	20	4	M8*20
RS-430-0	83	Φ14	4	115	Φ200	51.5° /171.5° /291.5°	M8*15	248	63	60	3	28	40	8	24	4	M8*20
RS-630-0	83	Φ15	4.5	119	Φ240	51.5° /171.5° /291.5°	M8*15	275.5	63	60	3	28	40	8	24	4	M8*20
RS-830-0	Φ128	16	31	37	Φ408	51.5° /171.5° /291.5°	M12*15	376.5	83	80	3	42	60	10	38	4	M10*30

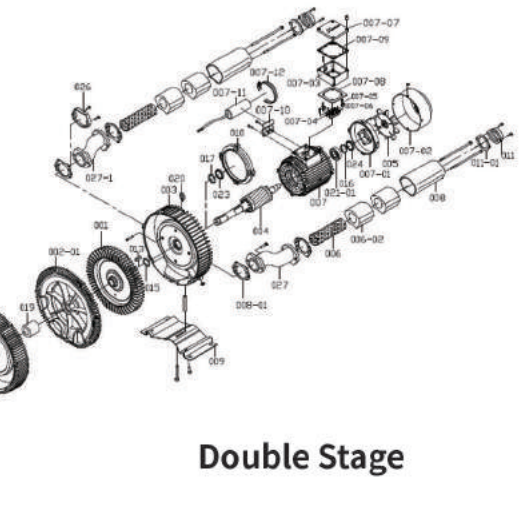


## Parts Illustration

### Single Stage



### Double Stage

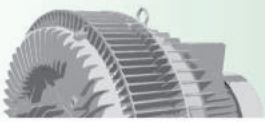


ITEM	PARTS NAME	ITEM	PARTS NAME	ITEM	PARTS NAME
1	Impeller	007-08	Terminal box washer	15	Washer
002	Compressor cover	007-09	Terminal cover washer	16	Ware washer
002-01	Middle compressor cover	007-10	Capacitor washer	17	Cotton seal
003	Compressor housing	007-11	Capacitor	18	Washer
003-01	Middle compressor housing	007-12	Steel clip	20	Bronze ring
004	Rotor	008	Silencer housing	21	Front bearing
005	Fan	008-01	Silencer washer	021-01	Rear bearing
006	Silencer mesh pipe	009	Mounting plate	021-02	Front bearing
006-02	Silencer sponge	010	Middle motor cover	023	Front oil seal
007	Motor	011	Inlet/outlet	023-01	VA-seal
007-01	Motor cover	011-01	Inlet/outlet washer	024	Rear oil seal
007-02	Fan cover	012	Protection steel skin	025	Silencer socket
007-03	Terminal box	012-01	Buckle (up)	026	Outlet cover
007-04	Wire socket	012-02	Buckle (down)	026-01	Cover
007-05	Wire connection slice	013	Rotor pin	027	Extend pipe
007-06	Fixed slice	014	Bearing washer	027-1	Extend pipe
007-07	Terminal cover	014-01	Bearing washer	028	90° extend pipe

\*Please notify model+parts item when you purchase.

\*We reserve the right to change the design without notice.

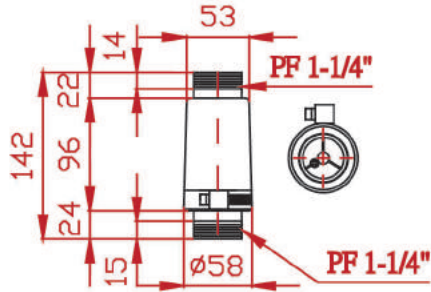




## Accessories

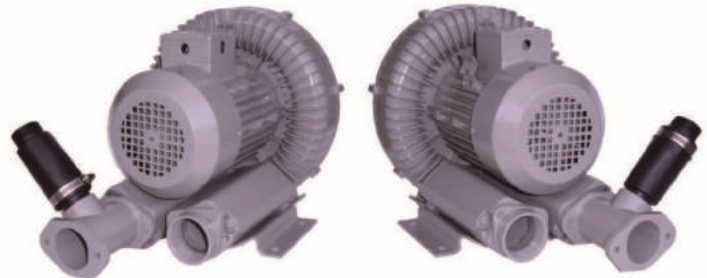
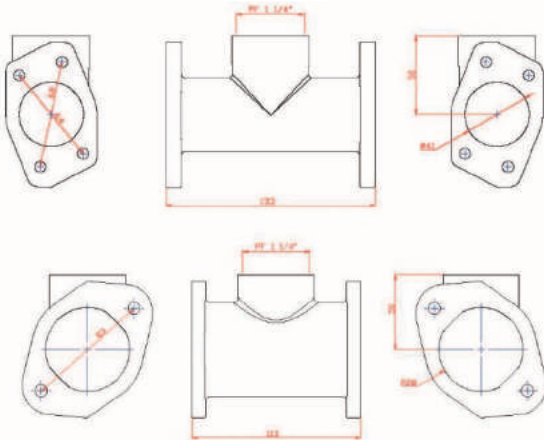
### Pressure Relief Valve

Type	PF	L (mm)	Dimension
RV-01	1 1/4"	142	0~3000mmAq
RV-02	1 1/4"	142	0~6000mmAq



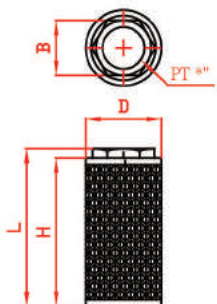
### Tee Pipe (mm)

Type	Application
TP-01	DG-200,230,300,330 Series
TP-02	DG-400,430,600,630,640 Series



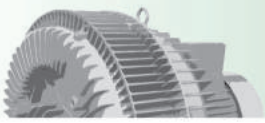
TP-01

TP-02



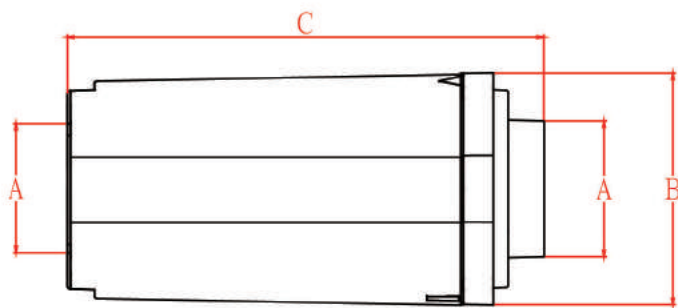
### MF Type Suction Filter

type	Symbol	PT	D (mm)	L (mm)	H (mm)	B (mm)	Filtration mesh	Weight (kg)
MF-08		1"	58	170	155	42	100	0.20
MF-10		1 1/4"	71	186	170	54	100	0.35
MF-12		1 1/2"	85	196	182	65	100	0.49
MF-16		2"	103	215	202	75	100	0.65
MF-20		2 1/2"	148	274	252	97	100	1.20
MF-32		4"	208	380	357	142	100	2.45

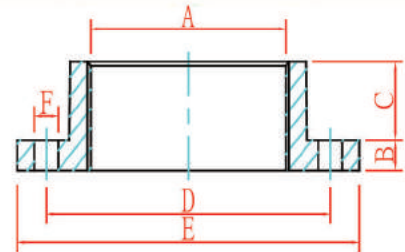


## Accessories

Silencer			
type	Symbol	A	C (mm)
SI-01	PF 1 1/4"	83	180
SI-02	PF 1 1/2"	98	180
SI-03	PF 2"	117	266
SI-04	PF 2 1/2"	145	325

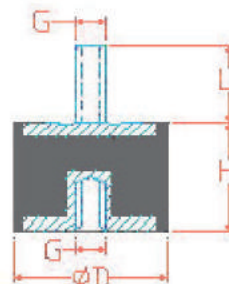


Threaded Flange (mm)						
type	Symbol	A	B	C	D	F
2-011	PF 1 1/4"	7	22	64	79	6
3-011	PF 1 1/2"	7	24	68	86	6
6-011	PF 2"	7	18	83	100	7
8-011	PF 2 1/2"	15	16	Φ128	144	7
9-011	PF 4"	8	22	150	170	9



### Footprint dimensions for vertical/horizontal mounting (mm)

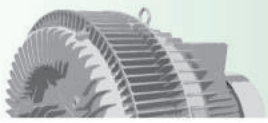
Type	D	H	G	L
MFB2520	25	20	M6	12
MFB3025	30	25	M8	15
MFB7540	75	40	M12	20
MFB7545	75	45	M12	37



Remark :  
If you need other accessories, please contact us or distributors.







# Side Channel Blower



## Single stage



RS-100 Series



RS-200 Series



RS-300 Series



RS-400 Series



RS-600 Series



RS-800 Series



RS-900 Series



V-Belt Series

## Double stage



RS-230 Series



RS-330 Series



RS-430 Series



RS-630 Series



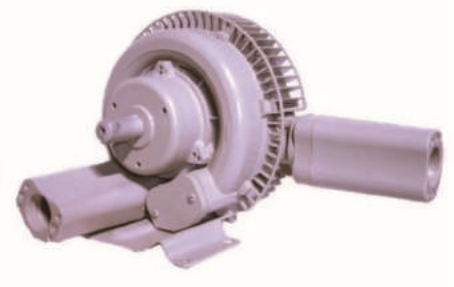
RS-640 Series



RS-830 Series



RS-840 Series



V-Belt Series



# Side Channel Blower



## INDUSTRIAL TECH SOLUTIONS

9/7 F, Second Stage, Gray Line Park, Ekala.

Tel : 94-11-2245689 Mobile : 0773 385 811

Fax : 94-11-2245689 Email : [indtechlanka@gmail.com](mailto:indtechlanka@gmail.com)

SAVE A GREEN WORLD FOR TOMORROW